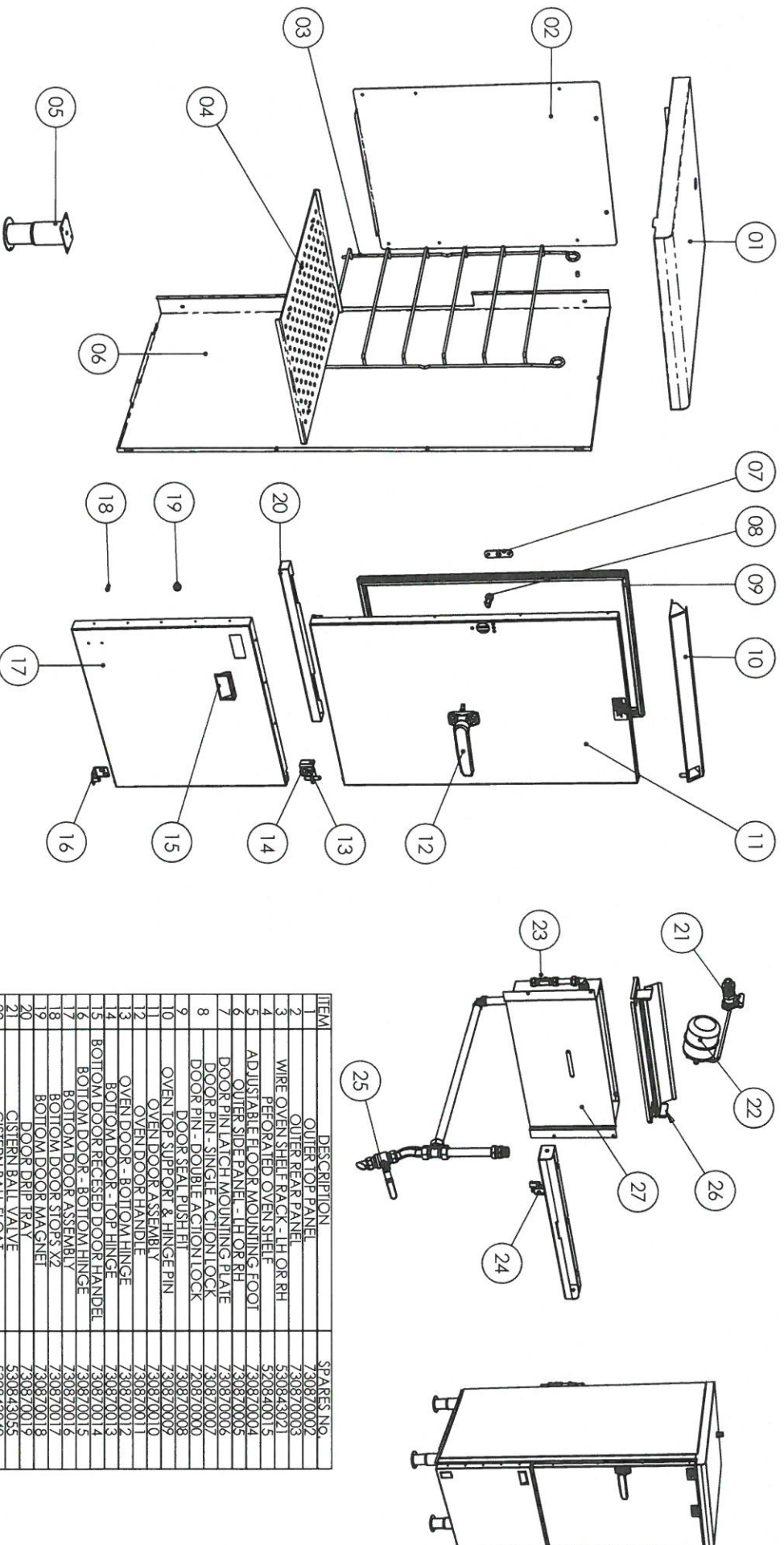


DOMINATOR PLUS



ITEM	DESCRIPTION	SPARES NO.
1	OUTER TOP PANEL	73087/0002
2	OUTER REAR PANEL	73087/0003
3	WIRE OVEN SHELF - LH OR RH	530843021
4	PERFORATED OVEN SHELF	520840015
5	ADJUSTABLE FLOOR MOUNTING FOOT	730870004
6	OUTER SIDE PANEL - LH OR RH	730870005
7	DOOR PIN LATCH MOUNTING PLATE	730870006
8	DOOR PIN - SINGLE ACTION LOCK	730870007
9	DOOR SEAL PUSH FIT	730870008
10	OVEN TOP SUPPORT & HINGE PIN	730870009
11	OVEN DOOR ASSEMBLY	730870010
12	OVEN DOOR HANDLE	730870011
13	OVEN DOOR - BOTTOM HINGE	730870012
14	BOTTOM DOOR - TOP HINGE	730870013
15	BOTTOM DOOR RECESSED DOOR HANDLE	730870014
16	BOTTOM DOOR - BOTTOM HINGE	730870015
17	BOTTOM DOOR ASSEMBLY	730870016
18	BOTTOM DOOR STOPS X2	730870017
19	BOTTOM DOOR MAGNET	730870018
20	DOOR DRIP TRAY	730870019
21	CISTERN BALL VALVE	530843020
22	CISTERN BALL VALVE	530843020
23	WATER DOUBLE CHECK VALVE	730870020
24	DRAIN TROLICheck VALVE	730843090
25	CHAMBER & CISTERN DRAIN VALVE	530843010
26	CISTERN LID GAS	530843082
27	CISTERN LID ELECTRIC CISTERN	730843200
27	CISTERN	530843460



Issue

Alteration

Date

Product

Document Reference

B

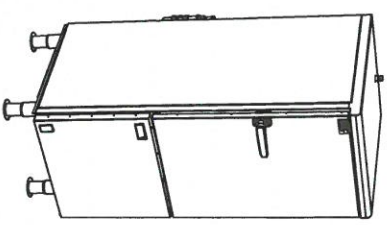
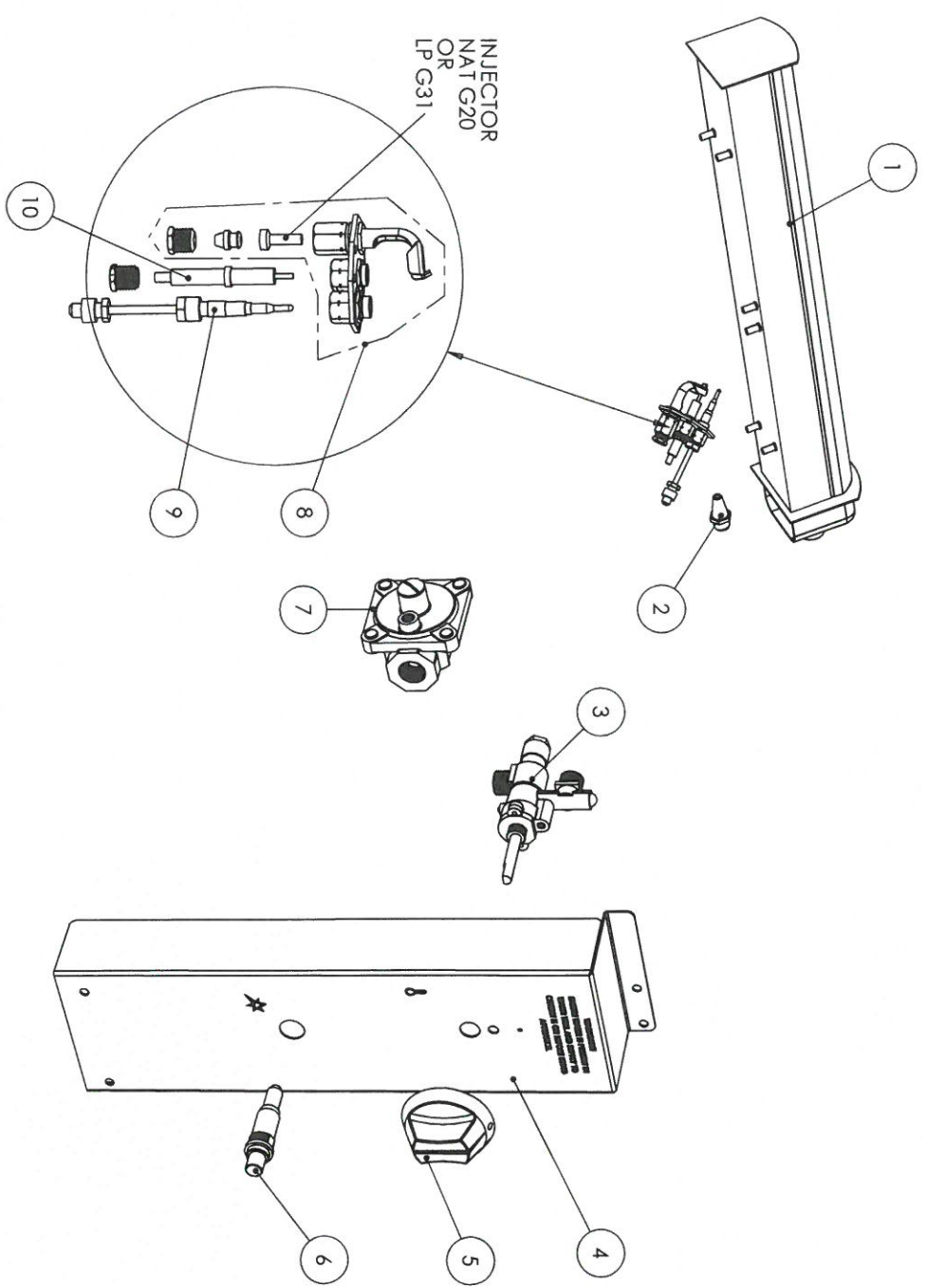
Initial Issue

08/03/12

G/E 3478

AB49031

DOMINATOR PLUS



ITEM	DESCRIPTION	SPARES No.
1	OVEN BURNER	530840010
2	G20 NAT GAS OVEN BURNER INJECTOR	530840020
3	G31 PROPANE GAS OVEN BURNER INJECTOR	530840030
4	FED CONTROL VALVE	530840045
5	CONTROL PANEL	535880000
6	CONTROL KNOB	535880001
7	PIEZO SPARK IGNITER	530843480
8	IGNITION LEAD (NOT SHOWN)	530840110
9	G20 NAT GAS GOVERNOR	539208410
10	G20 NAT GAS PILOT ASSY	530840060
11	G31 PROPANE GAS PILOT ASSY	530840070
12	PILOT THERMOCOUPLE	530840080
13	PILOT IGNITION ELECTRODE	530840090
14	NAT TO LP CONVERSION KIT	535880002
15	LP TO NAT CONVERSION KIT	535880003



Issue	Alteration	Date	Product	Document Reference
A	Initial Issue	09/08/11	G3478	AB49032